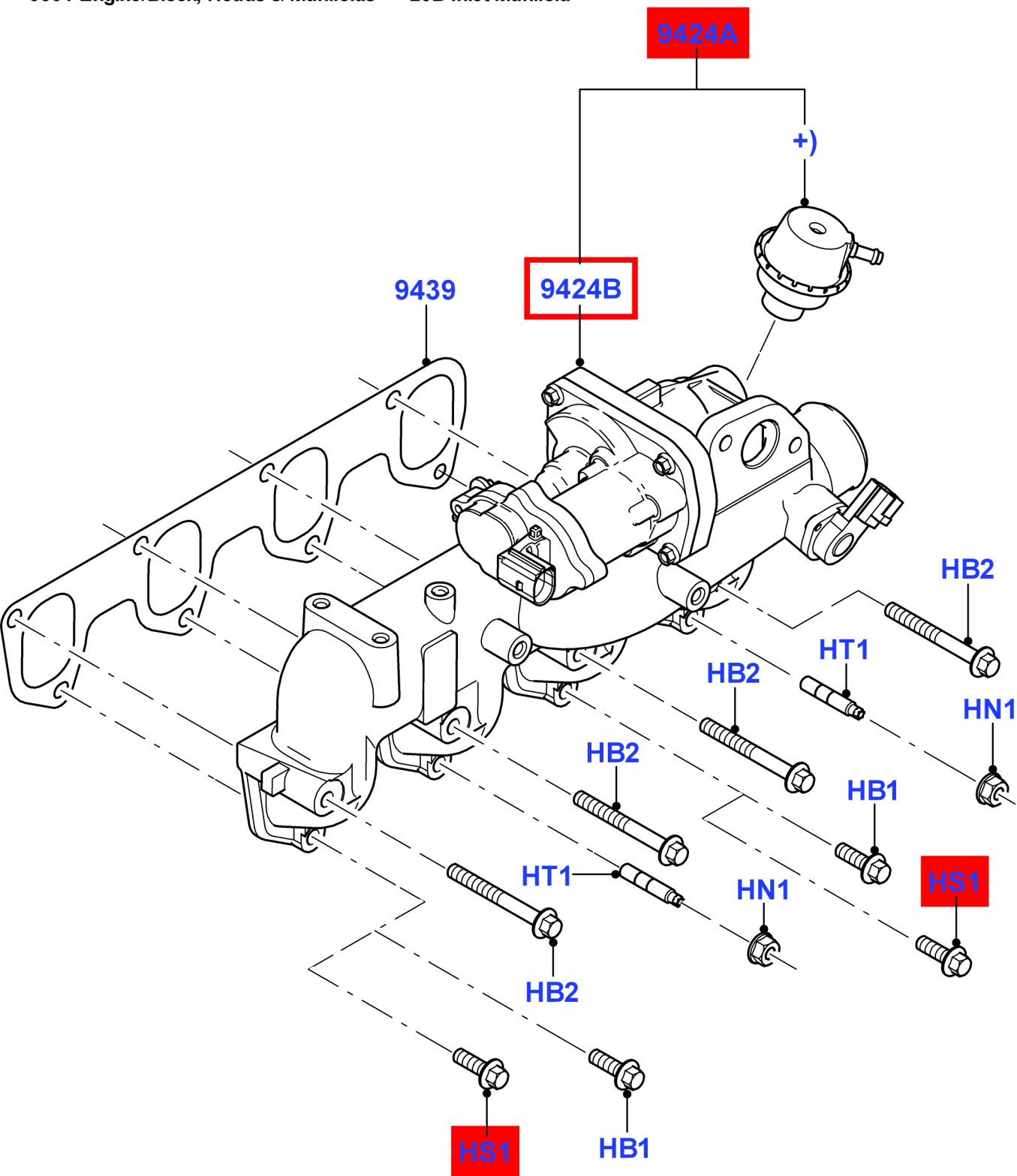


>> CAP Focus 04-08/Focus C-MAX 03-07 (CAP) >> C18DC4X Lynx 1.8 Diesel >> 3 Powertrain
>> 0301 Engine/Block, Heads & Manifolds >> 20B Inlet Manifold



3030120B
02-2007 06
18DC4X
T 0137176 02

©Copyright, 2004 - 2007, Ford Motor Company Limited

VIN: